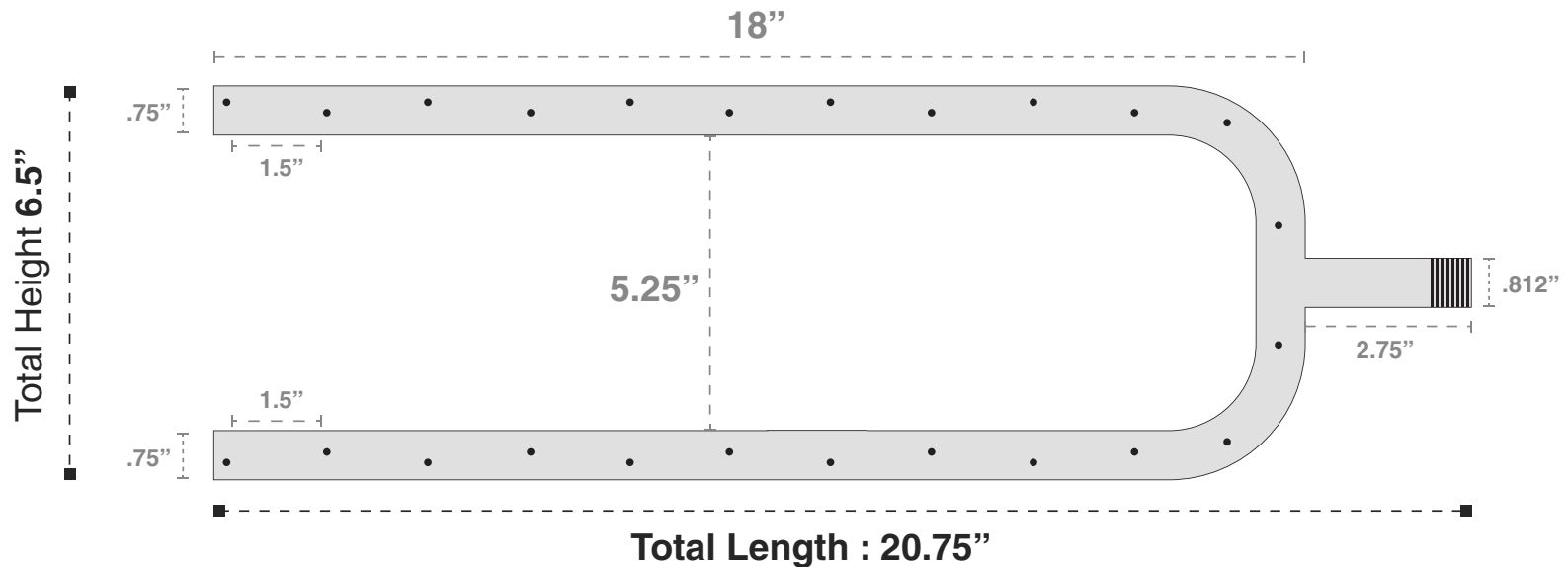


18" Stainless Steel Dual Burner

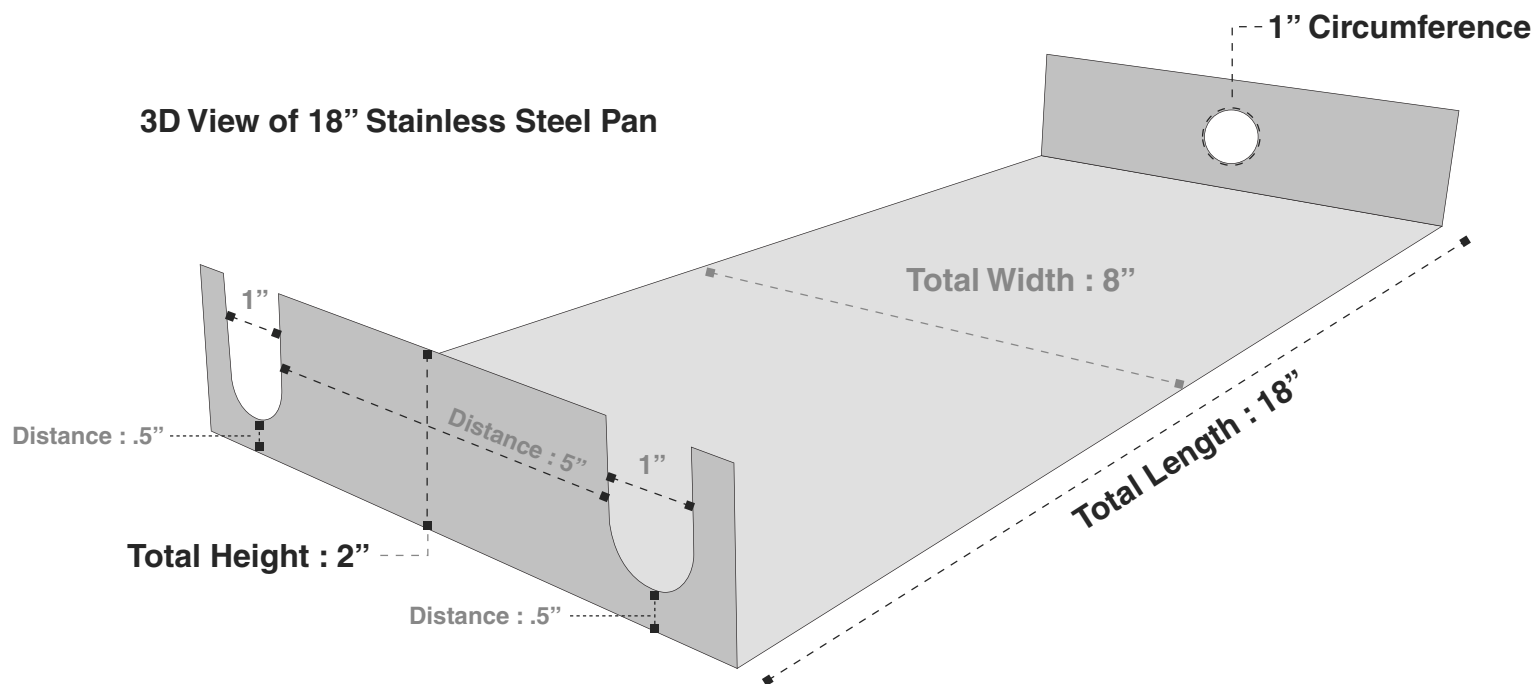


LP Kits BTU : 90K

Glaz Chips™ Fire Glass recommends dual burners and o-rings be installed and serviced by certified professionals in the U.S. by NFI (National Fireplace Institute). Instructions for burners are enclosed in your packaging. If however they are not, Glaz Chips™ Fire Glass will be more than happy to send you a copy from its manufacturer. The information provided in this document is solely to represent the dimensions of stainless steel dual burners & o-rings for fireplaces and/or fire pits and therefore are not installation instructions. Glaz Chips™ Fire Glass is not liable for any accident or injury caused due to installation by either the purchaser or professional installer.

glazchipsfireglass.com
Toll Free 877.371.1418

18" Stainless Steel Pan



Glaz Chips™ Fire Glass recommends dual burners and o-rings be installed and serviced by certified professionals in the U.S. by NFI (National Fireplace Institute). Instructions for burners are enclosed in your packaging. If however they are not, Glaz Chips™ Fire Glass will be more than happy to send you a copy from its manufacturer. The information provided in this document is solely to represent the dimensions of stainless steel dual burners & o-rings for fireplaces and/or fire pits and therefore are not installation instructions. Glaz Chips™ Fire Glass is not liable for any accident or injury caused due to installation by either the purchaser or professional installer.